

APS-SUB Data Sheet

APS-SUB

Flyable 18" Subwoofer for APS



The APS-SUB is a compact high-output subwoofer, designed to complement APS Arrayable Point Source loudspeakers to complete a system designed for small and medium-sized venues where a flexible, scalable, and powerful solution is required.

The APS-SUB contains an 18" high-excursion ultra-low-distortion neodymium driver that exhibits high efficiency and high maximum peak SPL. The 4" voice coil sustains an excursion of 20 mm peak to peak at a consistent magnetic force. The carbon fibre diaphragm provides increased stiffness and reduced moving mass, for efficient and accurate bass reproduction down to 28 Hz (-6 dB) with increased headroom.

APS-SUB Features

- ⊕ 18" high-excursion ultra low distortion driver
- ⊕ Extended frequency range:
28 Hz - 150 Hz (-6 dB)
- ⊕ High power handling: 1250 W (AES)
- ⊕ 138 dB maximum peak SPL
- ⊕ Flyable or ground-stackable
- ⊕ Rigging compatible with APS
- ⊕ System integration with LINUS DSP Amplifiers

APS-SUB arrays can be flown or ground stacked in omnidirectional or cardioid configurations. APS-SUB rigging is compatible with APS systems and features an integrated pole-mount receptacle. APS-SUB can be used in this way as a base for groundstacked pole-mounted APS arrays. This comprises a powerful and lightweight mobile system that requires no motors or trusses, reducing transport costs and setup time.

The APS-SUB is designed to work exclusively with CODA Audio LINUS loudspeaker management amplifiers as an integrated solution for DSP, amplification, network remote control, and diagnostic. This solution ensures optimal performance and protection.

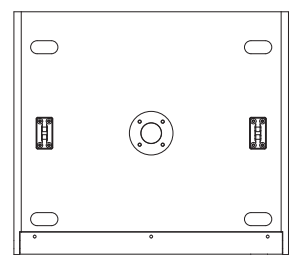
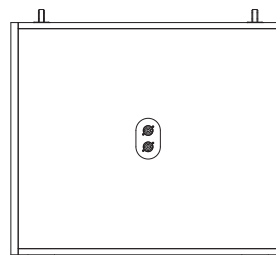
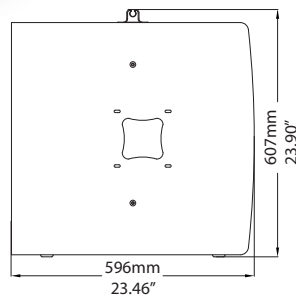
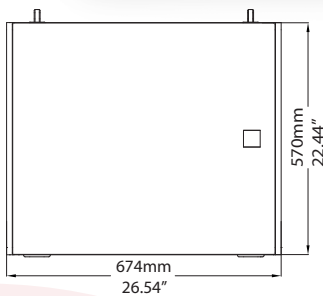


APS-SUB Data Sheet



Product type:	Flyable 18" Subwoofer for APS
Frequency response:	28 Hz - 150 Hz (-6 dB)
Power handling AES / peak (passive):	1250 / 5000 W
Sensitivity 1W / 1m:	98 dB
Max. output peak:*	138 dB
Amplification, cabinets per amplifier: (Optimum / Maximum)	LINUS10-C: 8/12 LINUS12C: 8/12 LINUS14D: 8/12
Components:	18" ultra-low distortion woofer 4" (101.6 mm) VC; 1300 W (AES)
Input connectors:	2x Neutrik™ NL4MP
Velocity sensors output:	N/A
Nominal impedance:	8 Ω (1+/1-)
Enclosure material:	Birch plywood
Finish:	Polyurea coating
Suspension:	Integrated
IP rating (IEC 60529):	Standard IP54
Weather protection options:	Standard IP55 (Amphenol connectors) MG1 (Marine Grade 1): IP55
Dimensions (WxHxD):	674 x 570 x 596 mm / 26.54 x 22.44 x 23.46" (674 x 607 x 596 mm / 26.54 x 23.90 x 23.46" incl. hardware)
Net weight:	45 kg / 99.2 lbs

*Measured with pink noise 6 dB crest factor. Half-space loading.



Other APS System Products



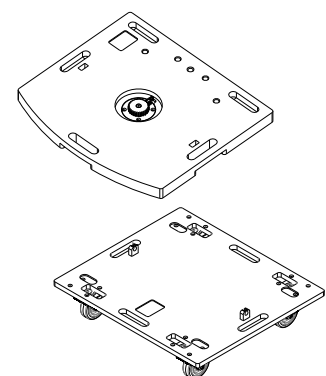
APS

Compact 3-way Arrayable
Point Source



LINUS14/14D

4-Channel DSP Amplifier with
Loudspeaker Management



ACCESSORIES

Visit www.codaaudio.com for
a full list of APS accessories

CODA AUDIO GmbH

Boulevard der EU 6, 30539 Hannover, Expo Park, Germany
E-Mail: contact@codaaudio.com Website: www.codaaudio.com

CODA
CODA AUDIO

